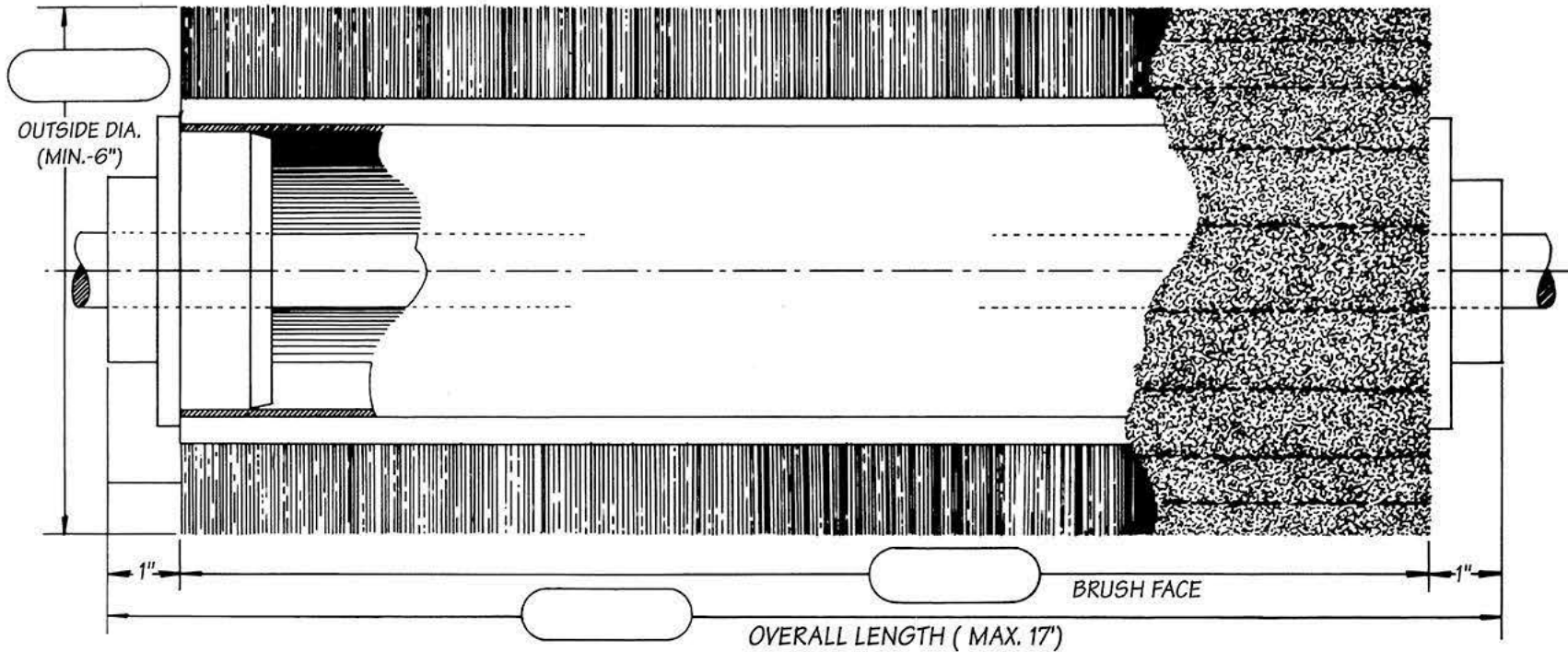
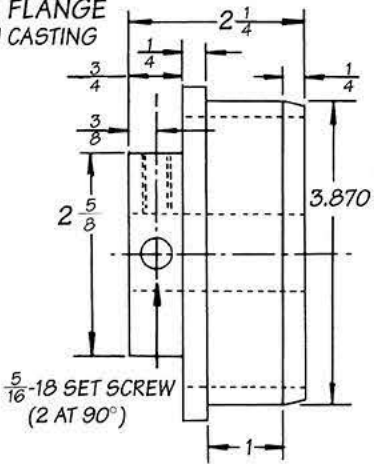


SERIES #3870 ALUMINUM EXTRUSION BRUSH

10 ROW OPEN DENSITY OR
20 ROW FULL DENSITY



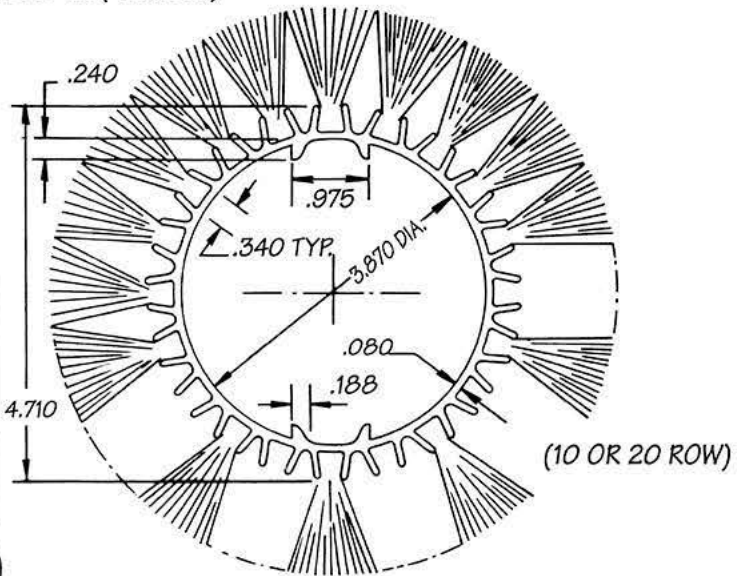
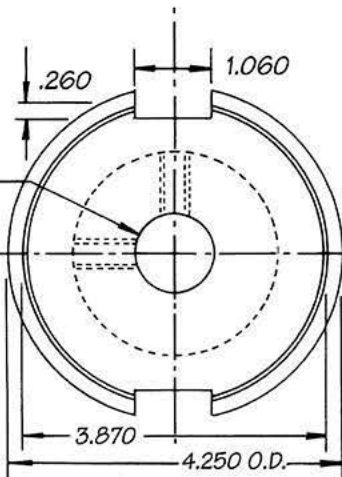
ADAPTOR FLANGE
ALUMINUM CASTING



STD. BORE

1.250
1.000

OTHER BORE
SIZES & STD.
KEYWAY
AVAILABLE



ADAPTOR BORE SIZE

KEYWAY SIZE (OPTIONAL)

BRUSH FILLER
MATERIAL



800-826-8492