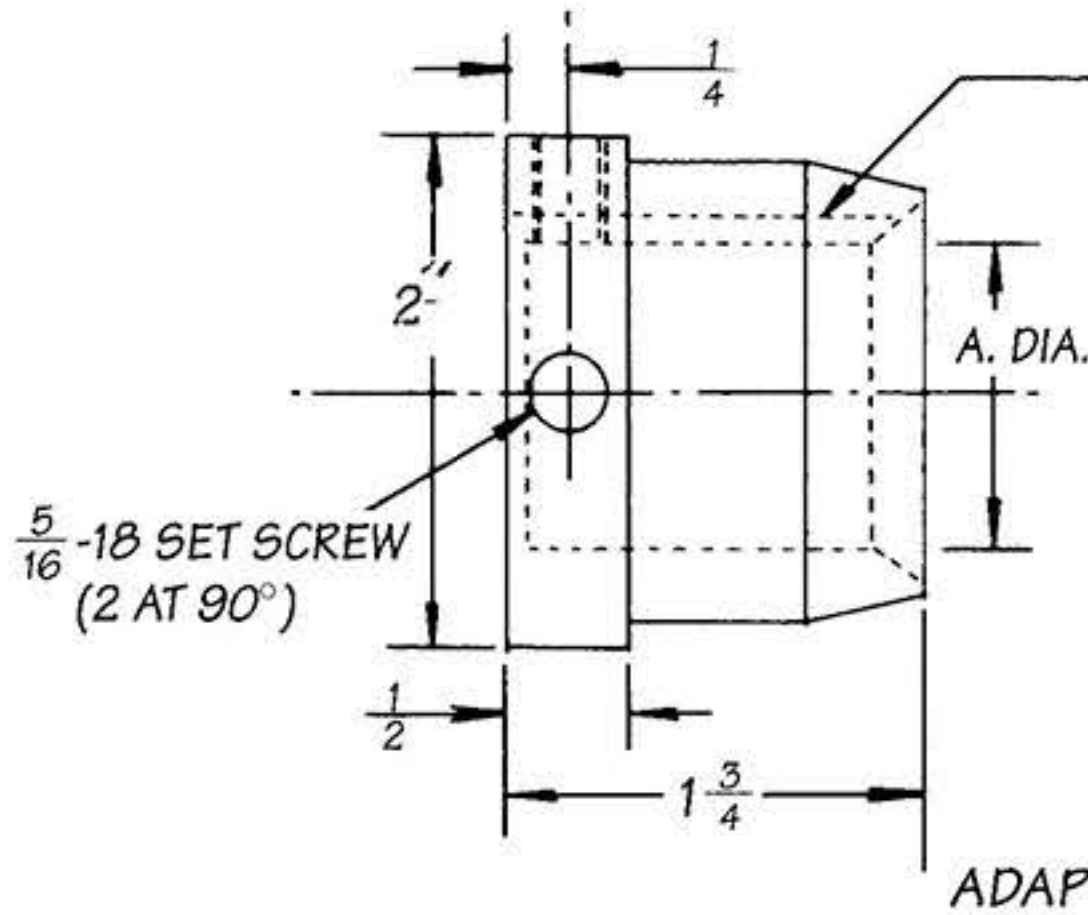
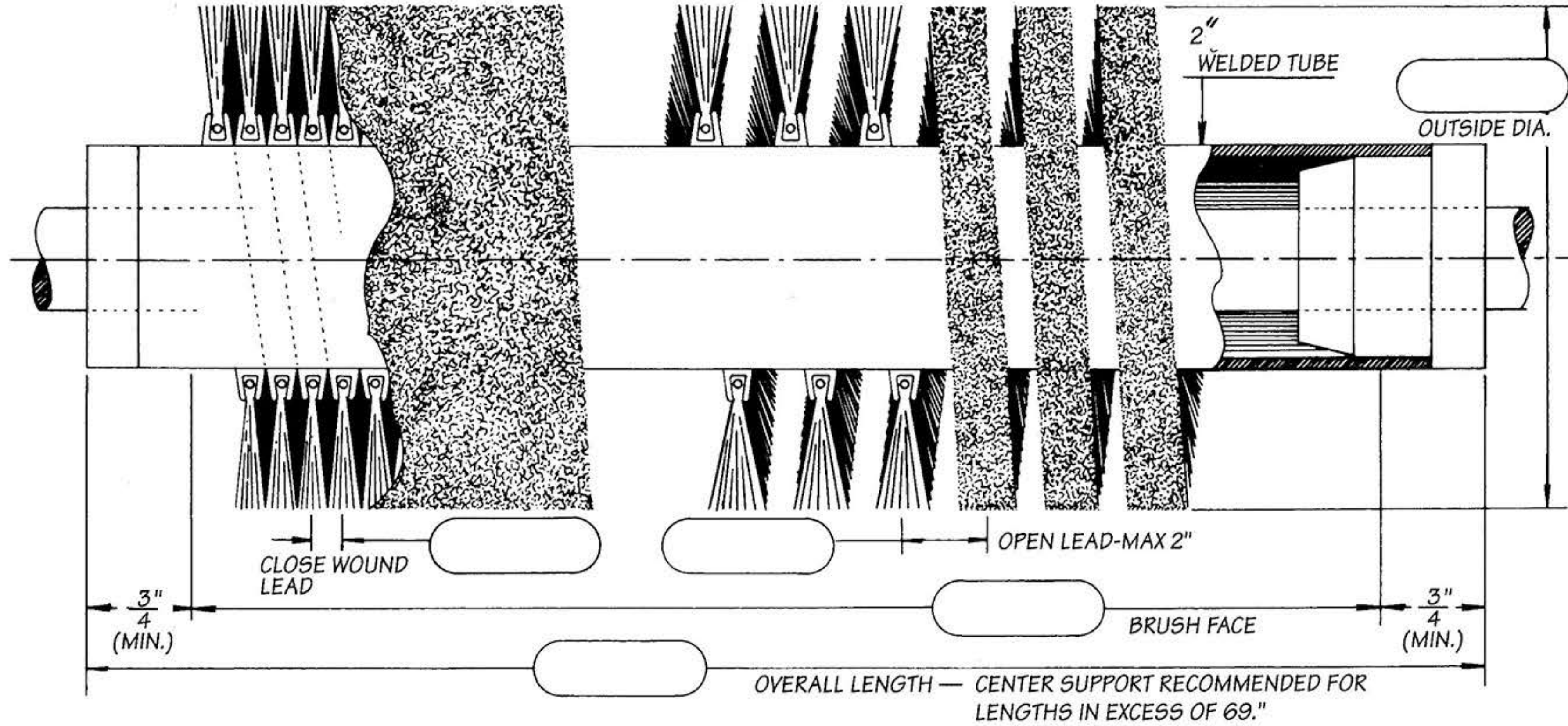


SERIES #2125 COIL BRUSH

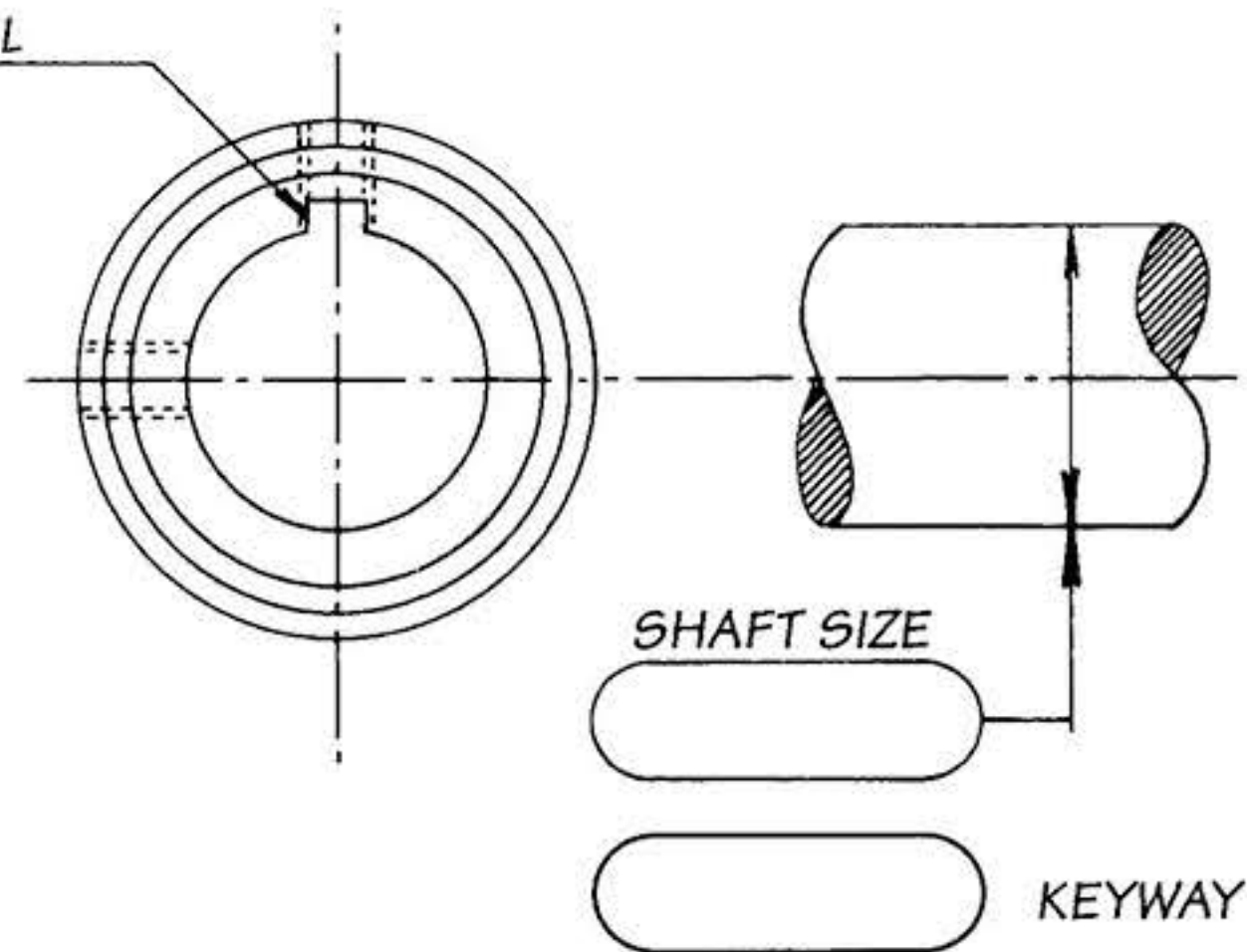
RIGHT HAND HELIX SHOWN - LEFT HAND OPTIONAL



STD. KEYWAY OPTIONAL

DASH NO.	A DIA.
-1	1.008
-2	1.258

OTHER BORE SIZES AVAILABLE



BRUSH FILLER MATERIAL



800-968-9600
 FAX 419-382-0756
 www.powerbrushes.com



POWER BRUSHES, INC.
 ENGINEERED BRUSHES FOR INDUSTRY
 756 SOUTH BYRNE RD. TOLEDO, OHIO 43609-1089