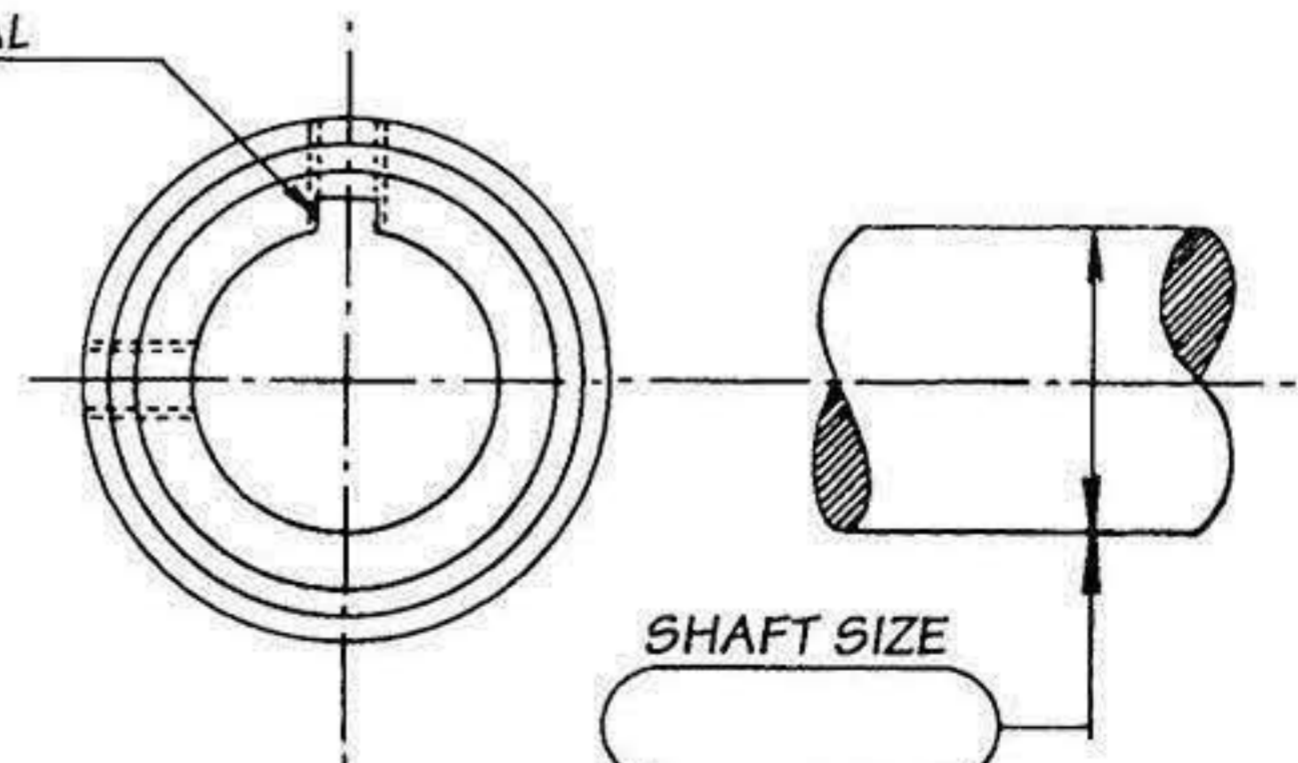
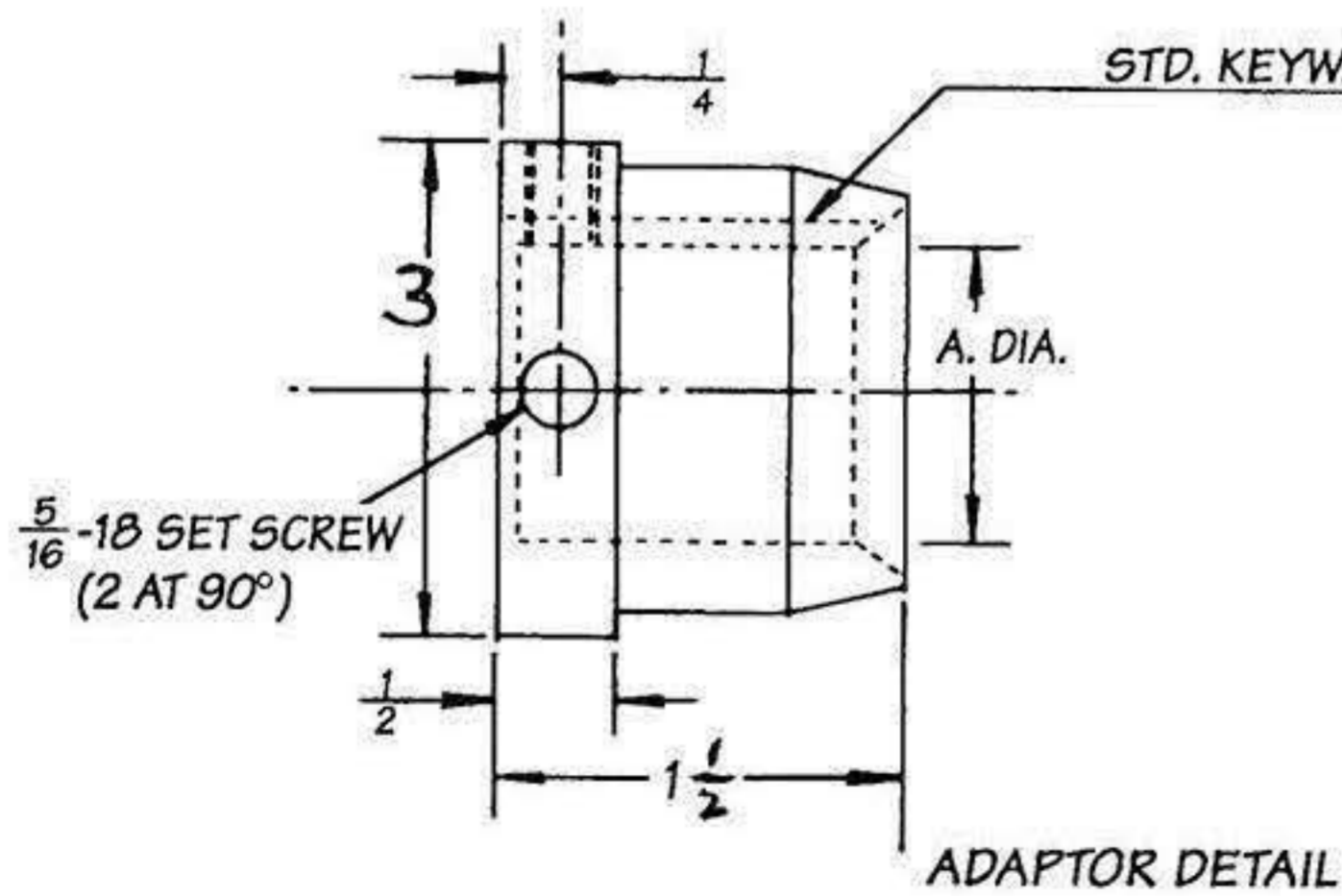
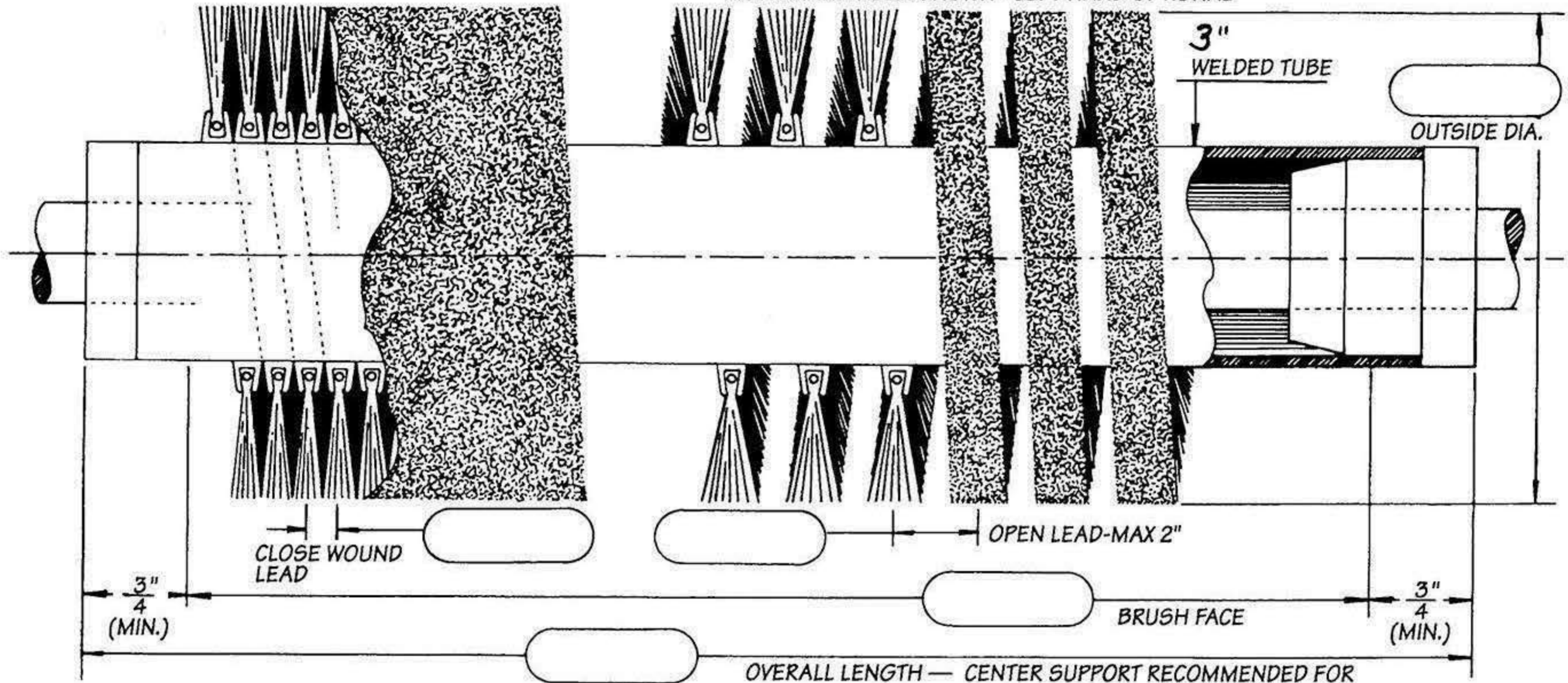


RIGHT HAND HELIX SHOWN - LEFT HAND OPTIONAL



BRUSH FILLER MATERIAL

