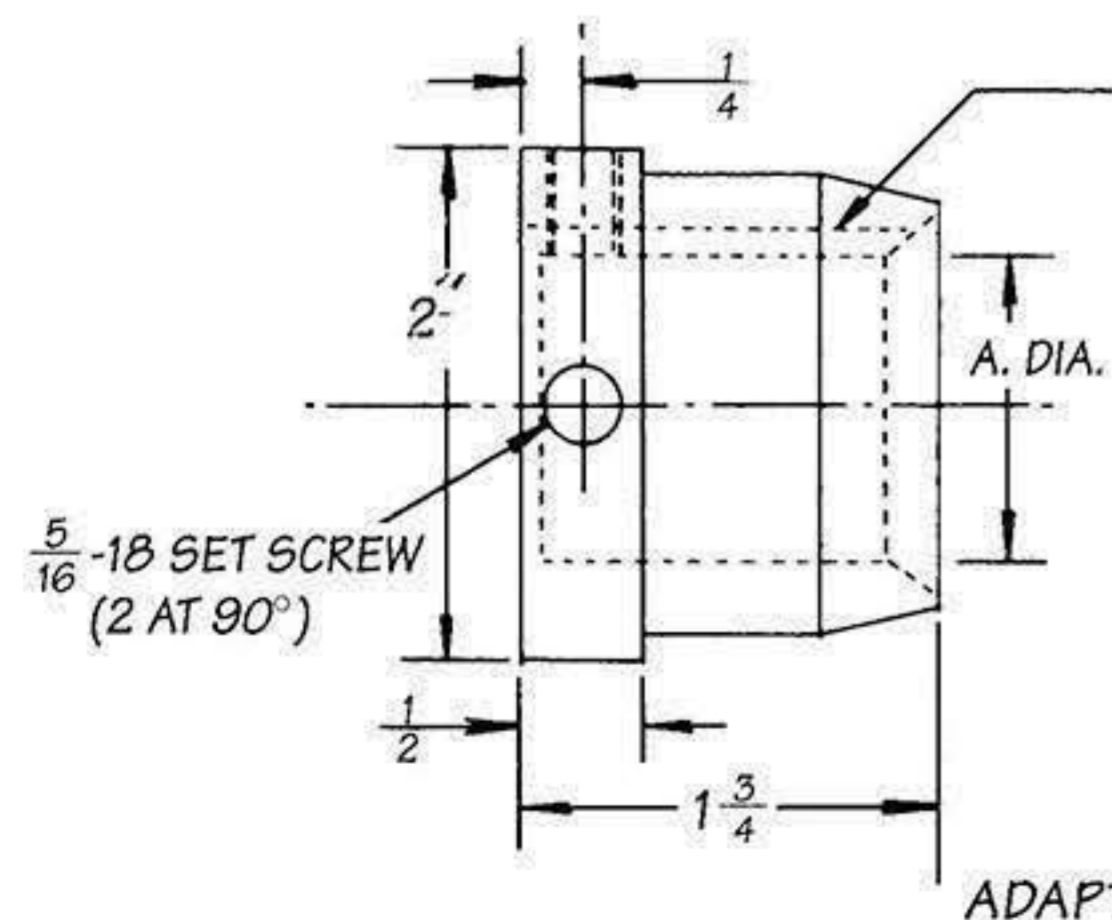
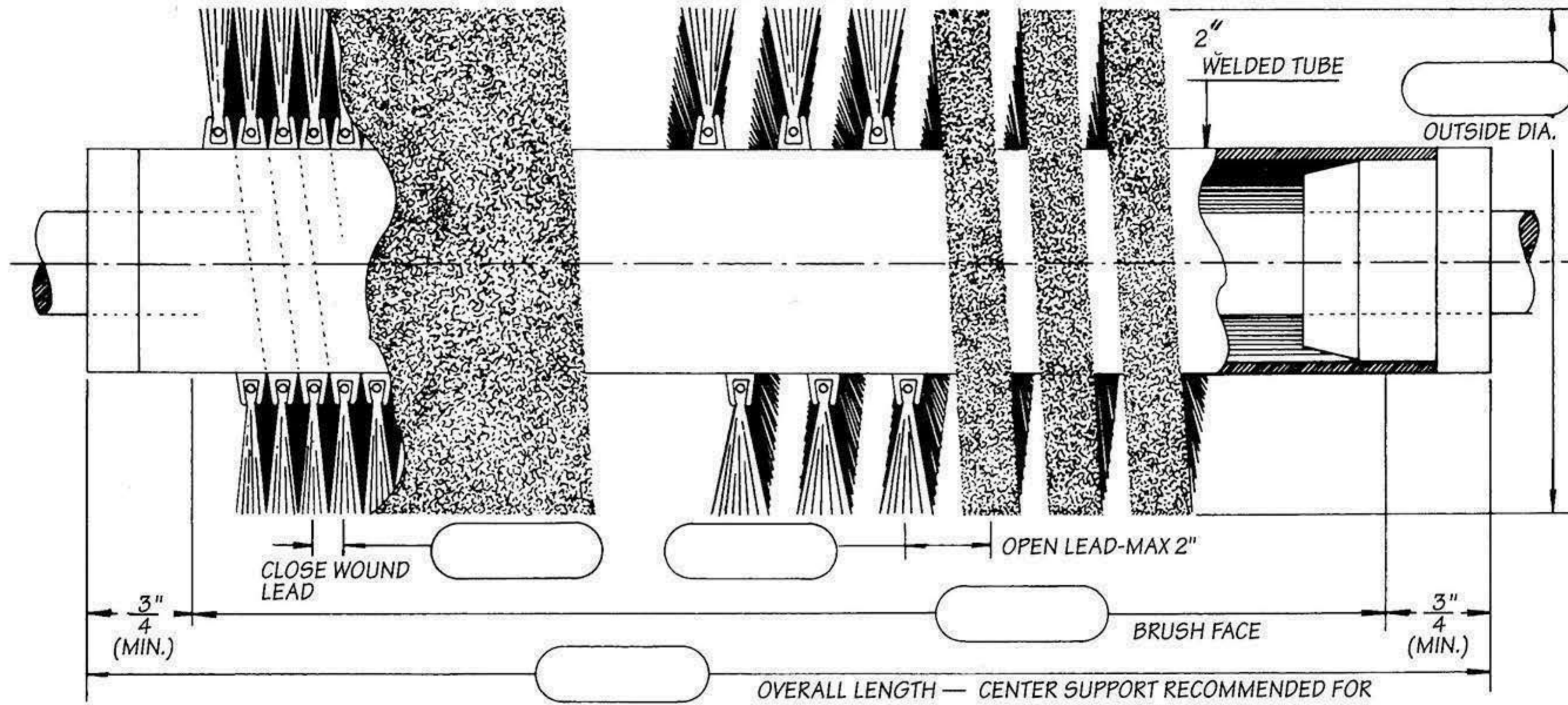


SERIES #2125 COIL BRUSH

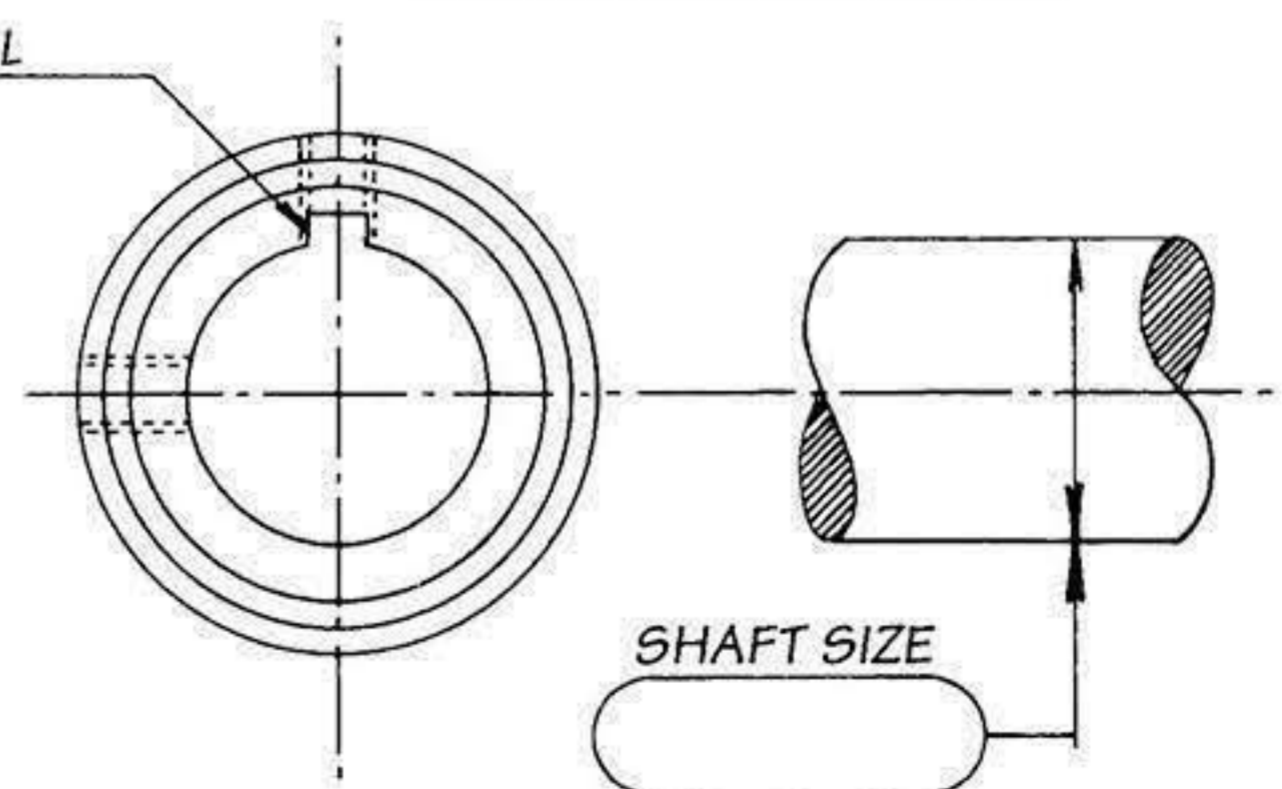
RIGHT HAND HELIX SHOWN - LEFT HAND OPTIONAL



STD. KEYWAY OPTIONAL

DASH NO.	A DIA.
-1	1.008
-2	1.258

OTHER BORE SIZES AVAILABLE



SHAFT SIZE

KEYWAY SIZE (OPTIONAL)

BRUSH FILLER MATERIAL



800-826-8492